

## Product information sheet AXIS III 5 S-IF

Item no. 522103

### Benefits

---



- Accentuated base contours create an aesthetically pleasing contoured bowl with large base area
- Practical additional draining bowl With stainless steel insert
- Flowing ergonomic work processes along two axis
- High-quality features with the covered C-overflow and InFino drain system – elegantly integrated and extremely easy-care

## Planning information

---

- Cut out size: 894 x 489 x R15

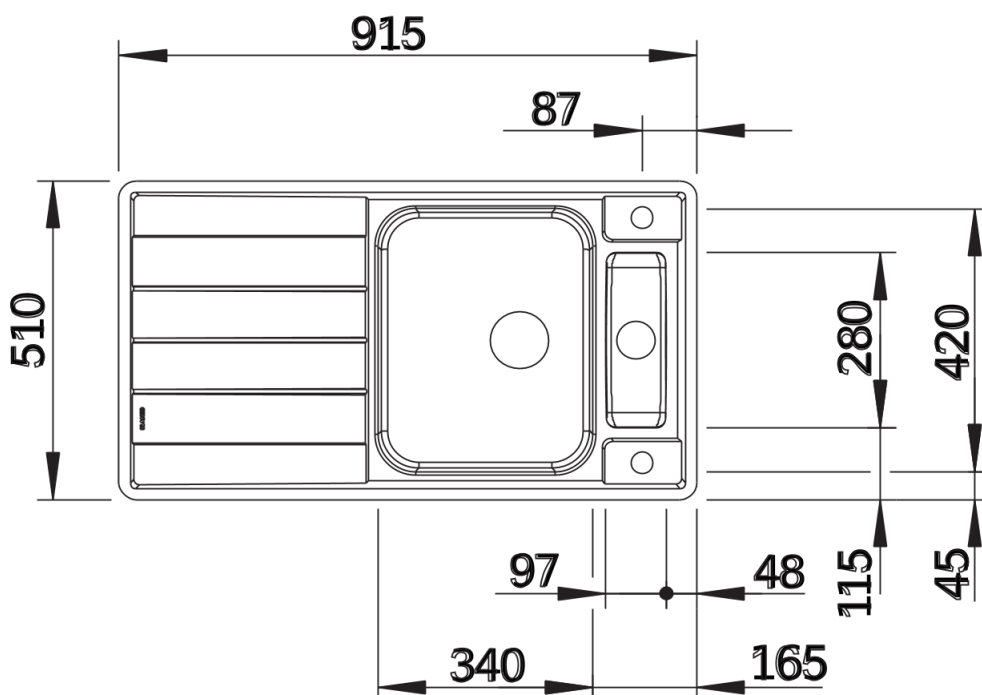
## Scope of supply

---

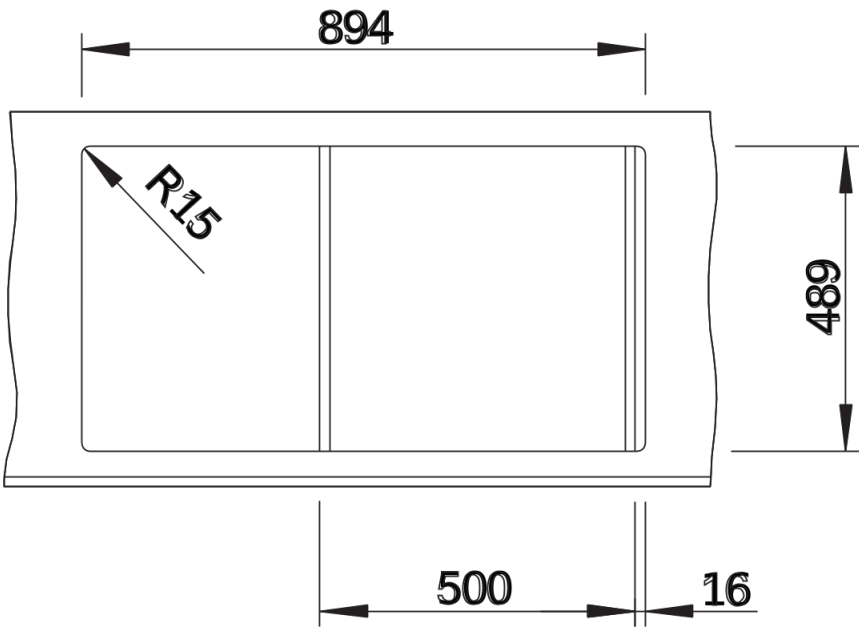
- Movable chopping board made of safety glass, perforated stainless steel insert, Waste fitting with space-saving pipe, 3 ½" InFino basket strainer and 1 ½" InFino basket strainer, pop-up waste for main bowl

## Details

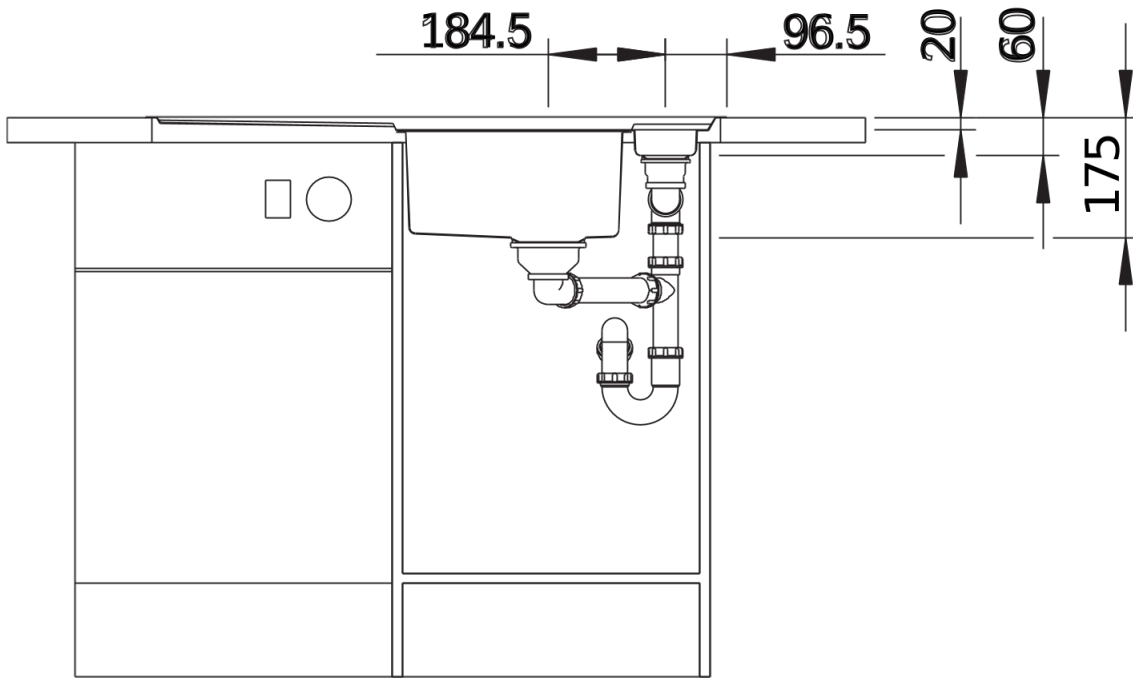
---



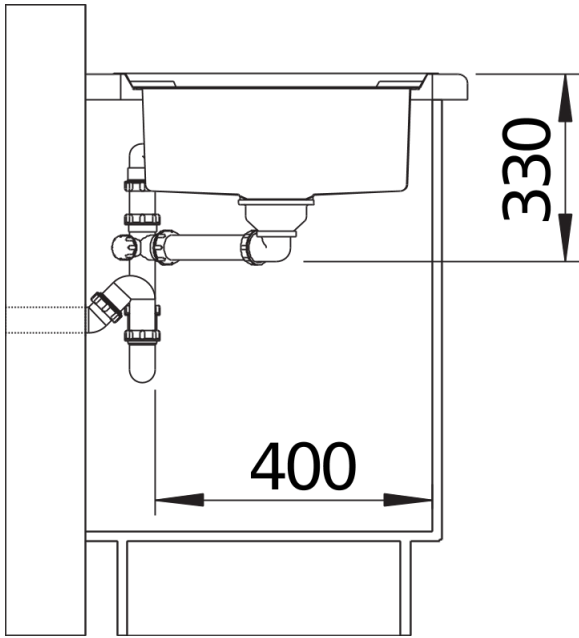
Top view



Cut-out



Front view



Side view